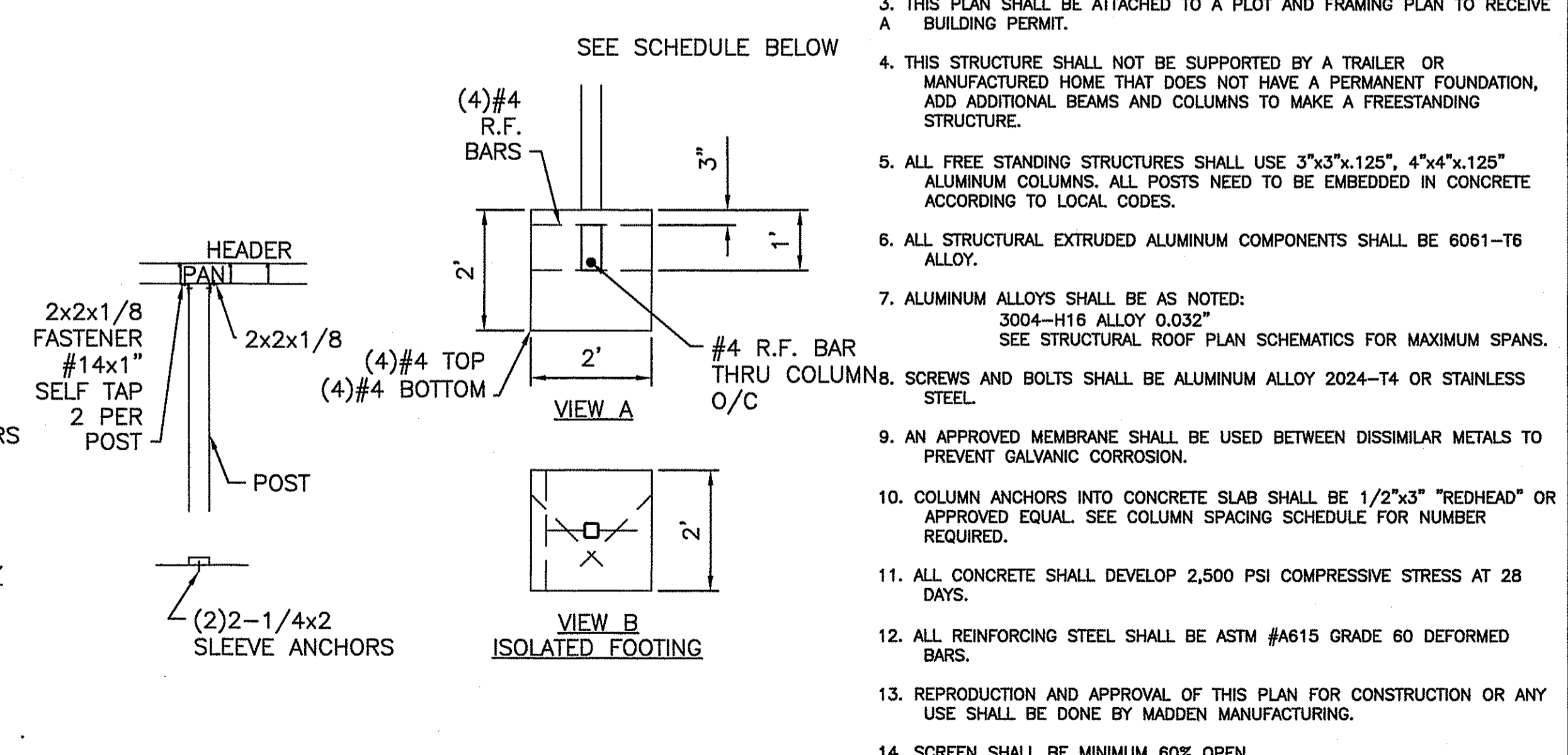
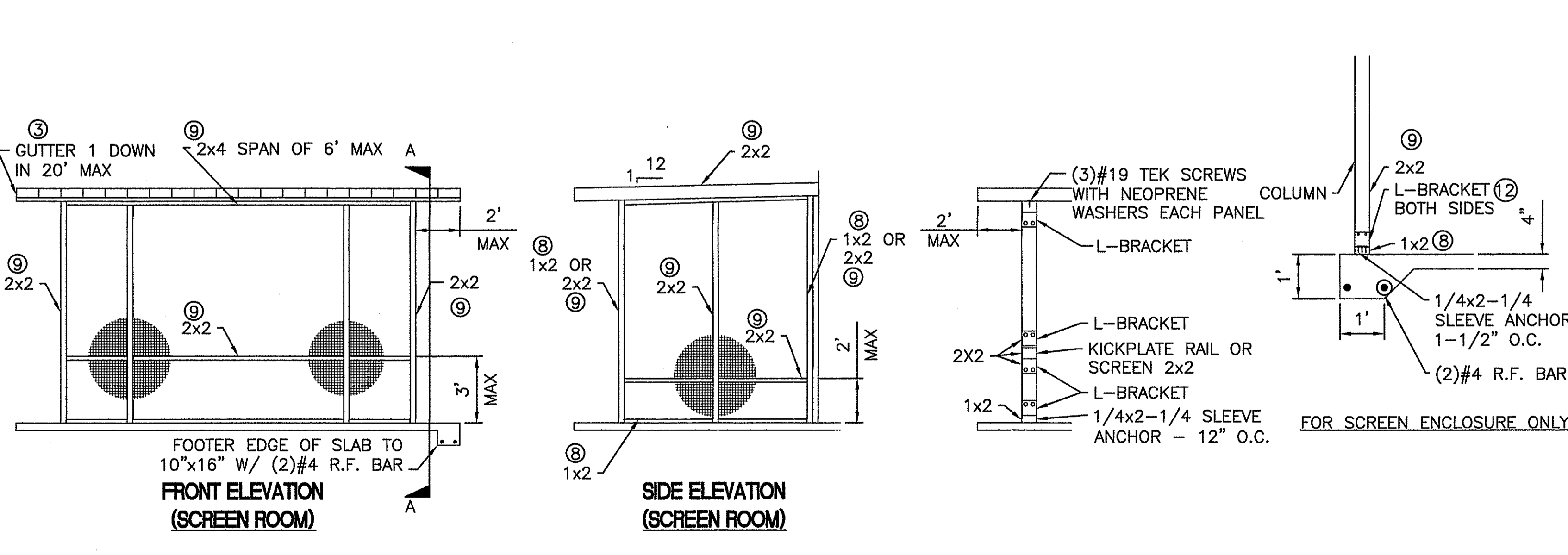
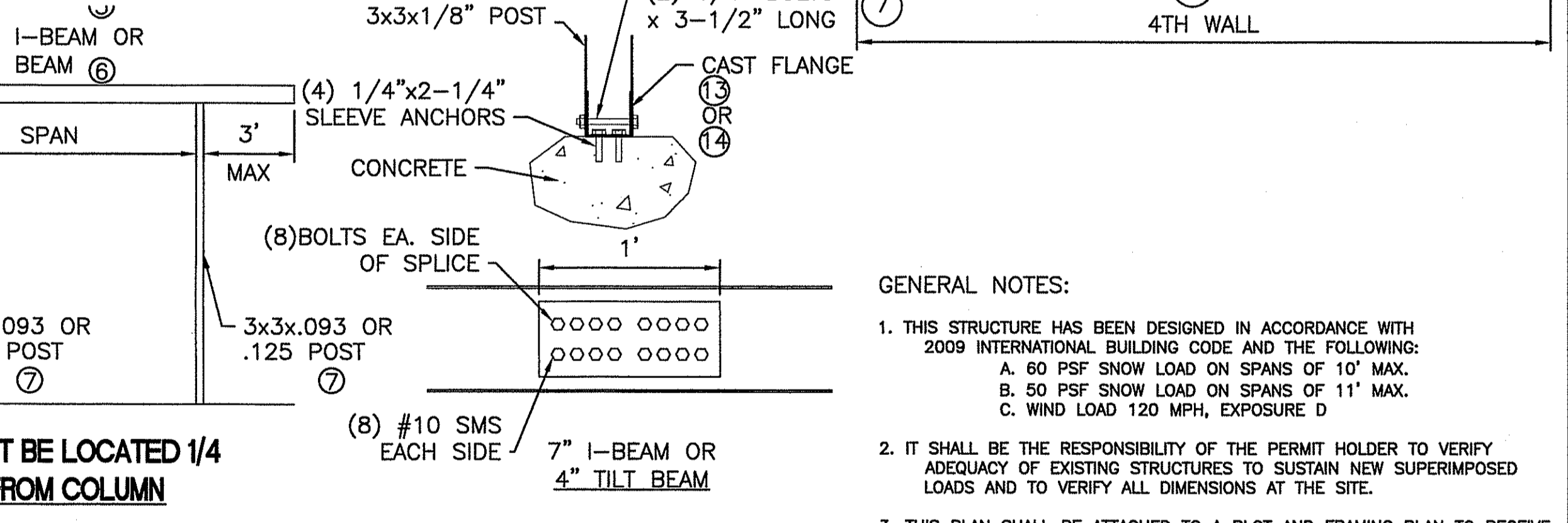
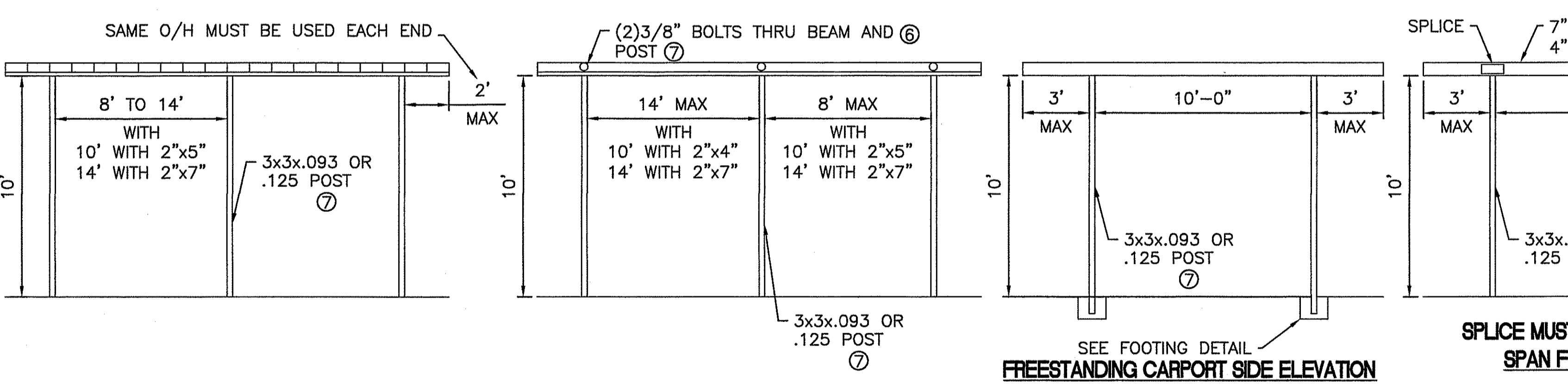


**ATTACHED CARPORT AND OR PATIO COVER**

FOR 40 PSF SNOW LOAD.  
SPACE COLUMNS AT 6' OK WITH 2x4 BEAM

**ROOF PAN (MULTIPLE SPAN) FREESTANDING CARPORT OR PATIO COVER**

60 PSF SNOW LOAD - 10' MAX PROJECTION  
50 PSF SNOW LOAD - 11' MAX PROJECTION  
40 PSF SNOW LOAD - 12' MAX PROJECTION



- GENERAL NOTES:**
- THIS STRUCTURE HAS BEEN DESIGNED IN ACCORDANCE WITH 2009 INTERNATIONAL BUILDING CODE AND THE FOLLOWING:
    - A. 60 PSF SNOW LOAD ON SPANS OF 10' MAX.
    - B. 50 PSF SNOW LOAD ON SPANS OF 11' MAX.
    - C. WIND LOAD 120 MPH, EXPOSURE D
  - IT SHALL BE THE RESPONSIBILITY OF THE PERMIT HOLDER TO VERIFY ADEQUACY OF EXISTING STRUCTURES TO SUSTAIN NEW SUPERIMPOSED LOADS AND TO VERIFY ALL DIMENSIONS AT THE SITE.
  - THIS PLAN SHALL BE ATTACHED TO A PLOT AND FRAMING PLAN TO RECEIVE A BUILDING PERMIT.
  - THIS STRUCTURE SHALL NOT BE SUPPORTED BY A TRAILER OR MANUFACTURED HOME THAT DOES NOT HAVE A PERMANENT FOUNDATION, ADD ADDITIONAL BEAMS AND COLUMNS TO MAKE A FREESTANDING STRUCTURE.
  - ALL FREE STANDING STRUCTURES SHALL USE 3"x3"x.125", 4"x4"x.125" ALUMINUM COLUMNS. ALL POSTS NEED TO BE EMBEDDED IN CONCRETE ACCORDING TO LOCAL CODES.
  - ALL STRUCTURAL EXTRUDED ALUMINUM COMPONENTS SHALL BE 6061-T6 ALLOY.
  - ALUMINUM ALLOYS SHALL BE AS NOTED: 3004-H16 ALLOY .032" SEE STRUCTURAL ROOF PLAN SCHEMATICS FOR MAXIMUM SPANS.
  - SCREWS AND BOLTS SHALL BE ALUMINUM ALLOY 2024-T4 OR STAINLESS STEEL.
  - AN APPROVED MEMBRANE SHALL BE USED BETWEEN DISSIMILAR METALS TO PREVENT GALVANIC CORROSION.
  - COLUMN ANCHORS INTO CONCRETE SLAB SHALL BE 1/2"x3" "REDHEAD" OR APPROVED EQUAL SEE COLUMN SPACING SCHEDULE FOR NUMBER REQUIRED.
  - ALL CONCRETE SHALL DEVELOP 2,500 PSI COMPRESSIVE STRESS AT 28 DAYS.
  - ALL REINFORCING STEEL SHALL BE ASTM #A615 GRADE 60 DEFORMED BARS.
  - REPRODUCTION AND APPROVAL OF THIS PLAN FOR CONSTRUCTION OR ANY USE SHALL BE DONE BY MADDEN MANUFACTURING.
  - SCREEN SHALL BE MINIMUM 60% OPEN.
  - THE STRUCTURE SHALL NOT BE ATTACHED TO A CANTILEVERED OVERHANG WITHOUT THE SPECIFIC DESIGN APPROVAL OF MADDEN MANUFACTURING AND THE ENGINEER.

SPANS NOT TO EXCEED 10'

**HORNER & SHIFRIN, INC. ENGINEERS**

4166 W. KEARNEY ST. - SPRINGFIELD, MO 65803  
417-865-7000 - FAX 417-865-7003 - www.HornerShifrin.com  
Discipline: Professional Engineering  
Expiration Date: FEBRUARY 28, 2015

Name: Kevin C. Schibaki  
Type: Professional Engineer  
No. 000000000  
Expiration Date: 2-28-15

REVISION

NO.

DATE

**MADDEN MFG. CO.**

331 DOGWOOD RD  
LAKE OZARK, MISSOURI 65049

573-365-7040 800-248-1520

DATE: JUNE 2014

DESIGNED: KCS  
DRAWN: TMH  
CHECKED: KCS

JOB NO. 1322100  
REF. NO. MADDEN STANDARD

SHEET 1 OF 1

1

DWG: IA Projects\Madden Standard\Florida Standard Pello.dwg  
DATE: 6/18/2014 2:33:15 AM  
OPERATOR: TMHLL