

# NON-STRUCTURAL MANUFACTURED HOME ROOF OVERLAY DETAIL

FRANK L. BERNARDO, P.E.  
# PE0046549

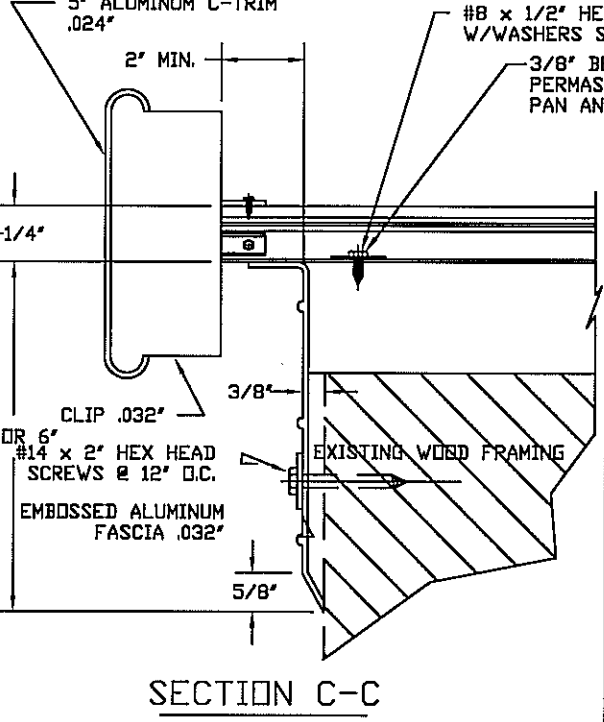
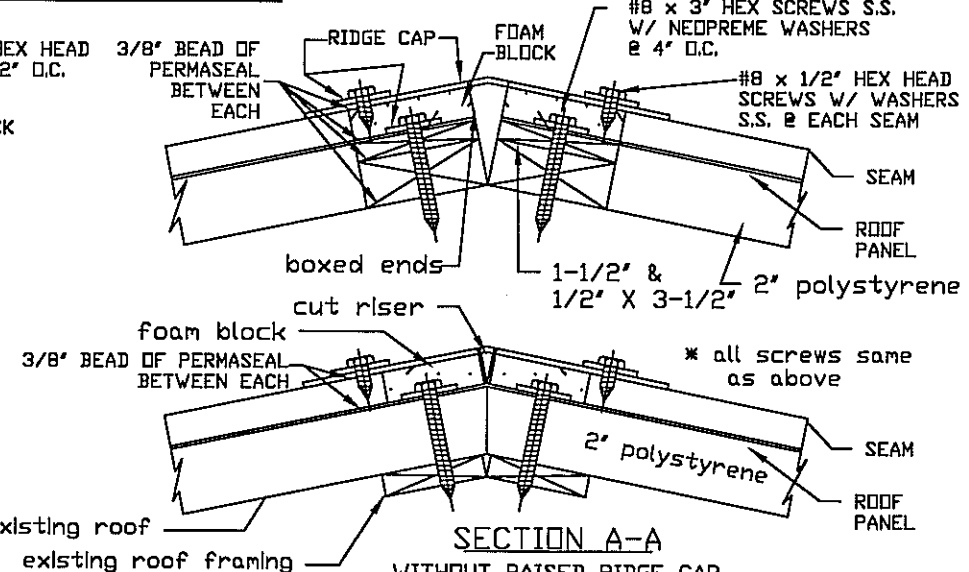
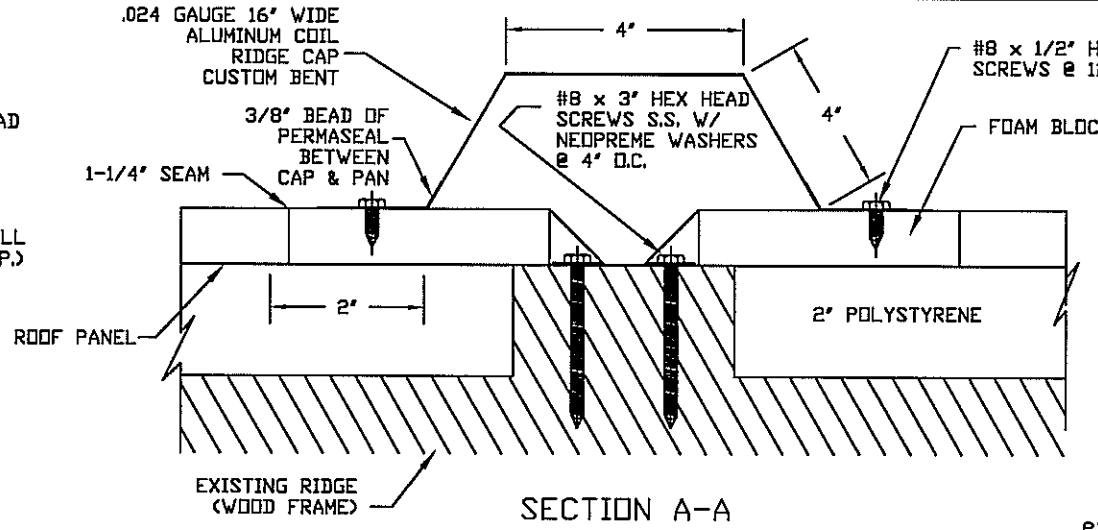
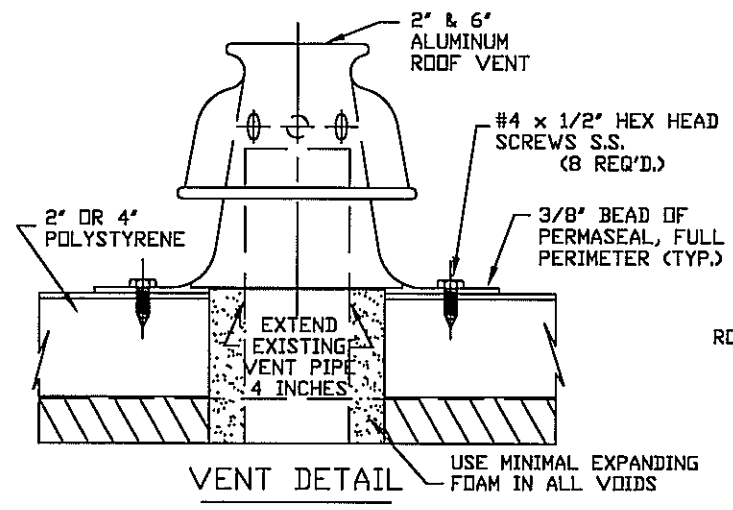
08/31/2009

VALID FOR (1) JOB(S) ONLY  
VALID ONLY WITH RAISED ENGINEER SEAL

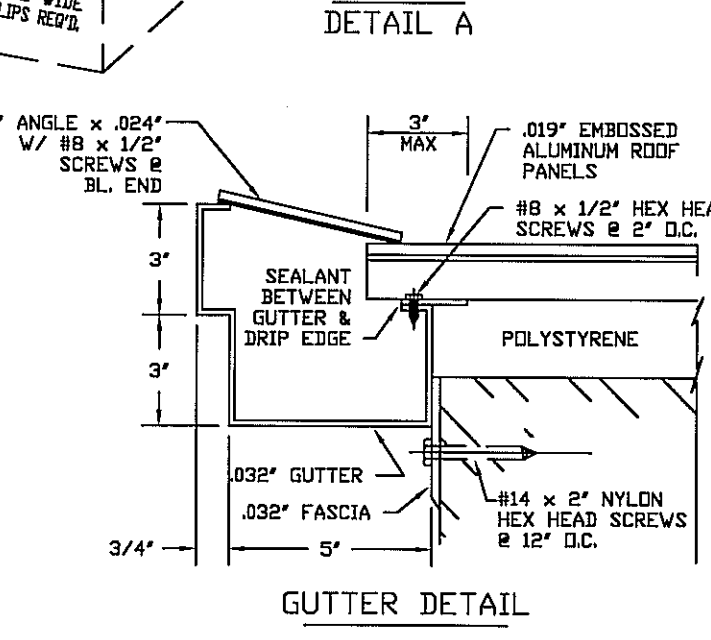
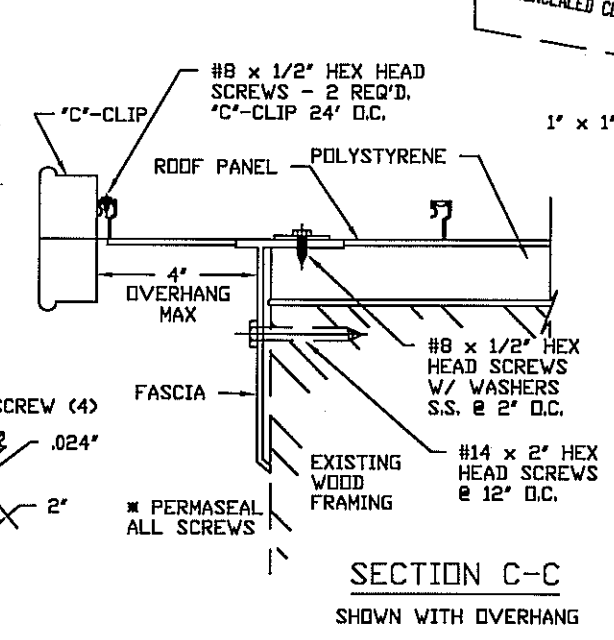
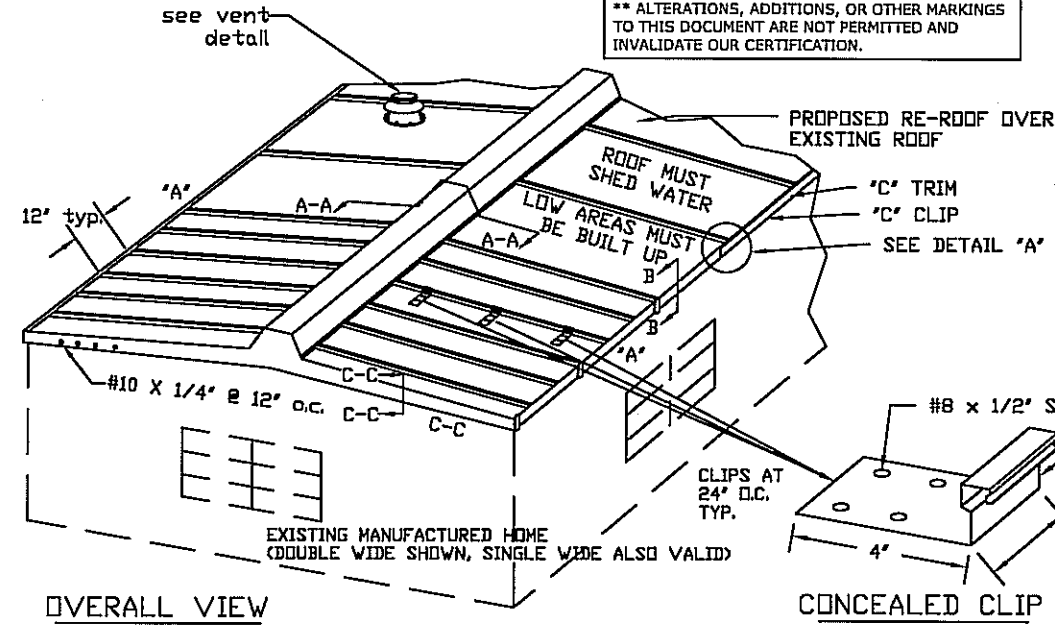
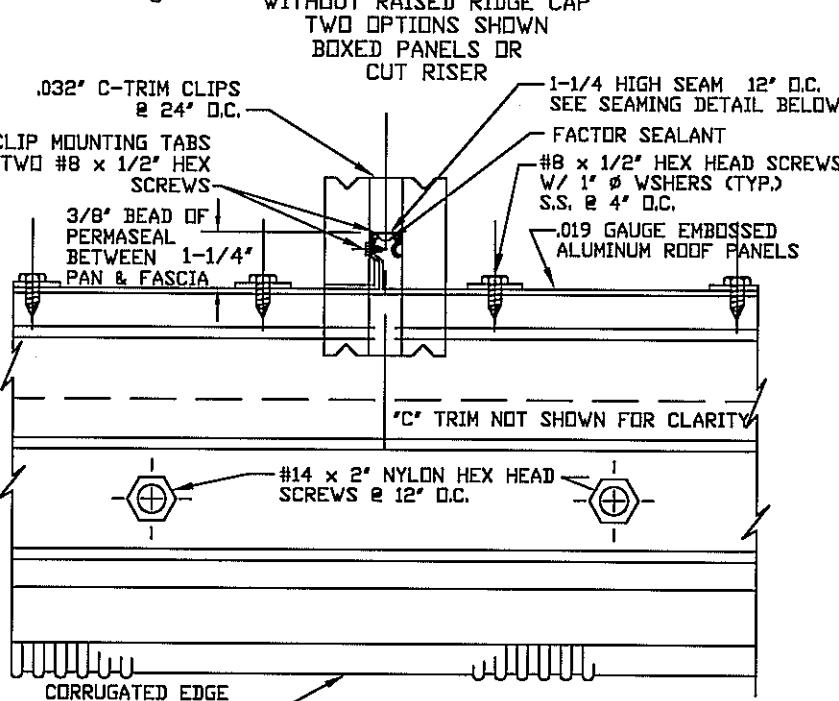
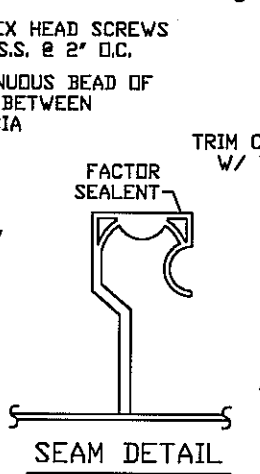
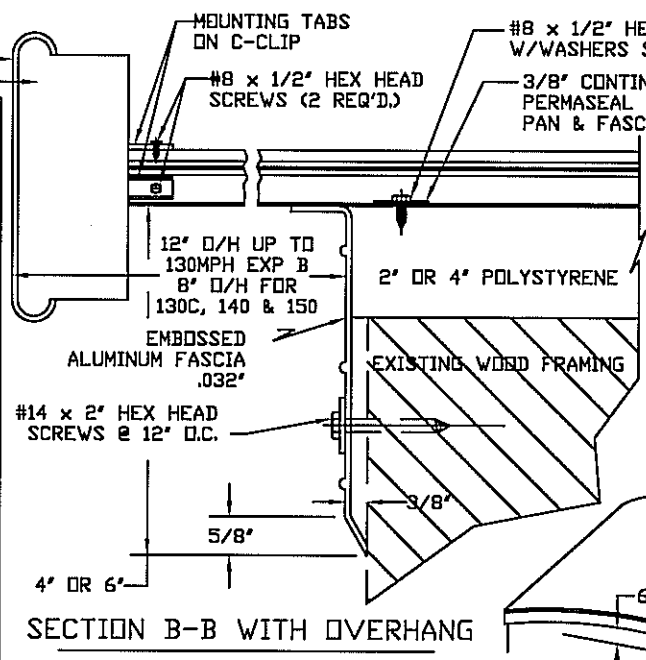
LICENSED AFFILIATE OF  
**ENGINEERING EXPRESS**  
160 SW 12th AVENUE, #106  
DEERFIELD BEACH, FL 33442  
PH: (954) 354-0660 FAX: (954) 354-0443  
WWW.ENGEXP.COM  
CERT OF AUTH #8985

**MADDEN**  
MANUFACTURING

ROOF OVER MANUFACTURED HOME MASTER PLAN SHEET  
BY MADDEN MANUFACTURING



**GENERAL NOTES:**  
1) THIS DESIGN IS VALID AS A NON-STRUCTURAL ROOF OVERLAY DETAIL OVER EXISTING, STRUCTURALLY SOUND MANUFACTURED HOMES ONLY (INTEGRITY OF EXISTING STRUCTURE OUT OF THE SCOPE OF THIS CERTIFICATION). IT IS INTENDED FOR WATERPROOFING PURPOSES ONLY.  
2) THIS DESIGN IS IN ACCORDANCE WITH THE 2007 FLORIDA BUILDING CODE, 2006 INTERNATIONAL BUILDING CODE, BUILDING CODE OF THE STATE OF NEW YORK, AND ASCE 7-05 USING A MAXIMUM MRH=15', I=1.0, Kd=0.85, ROOF SLOPE < 10 DEGREES, V=150MPH, EXPOSURES 'B' AND 'C'.  
3) ALUMINUM PANELS SHALL BE MANUFACTURED BY MADDEN MANUFACTURING ONLY AND SHALL BE 3004-H16 ALUMINUM ALLOY OR BETTER.  
4) FASTENERS SHALL BE STAINLESS STEEL OR CADMIUM PLATED, OR OTHERWISE CORROSION RESISTANT STEEL ALLOY, PROTECTED FROM ALUMINUM TO PREVENT ELECTROLYSIS.  
9) ENGINEER SEAL AFFIXED HERETO VALIDATES STRUCTURAL DESIGN AS SHOWN ONLY. USE OF THIS SPECIFICATION BY CONTRACTOR, et al. INDEMNIFIES AND SAVES HARMLESS THIS ENGINEER FOR ALL COSTS AND DAMAGES INCLUDING LEGAL FEES AND APPELLATE FEES RESULTING FROM MATERIAL FABRICATION, SYSTEM ERECTION, AND CONSTRUCTION PRACTICES BEYOND THAT WHICH IS CALLED FOR BY LOCAL, STATE, AND FEDERAL CODES AND FROM DEVIATIONS OF THIS PLAN.  
10) EXCEPT AS EXPRESSLY PROVIDED IN THIS SPECIFICATION, NO ADDITIONAL CERTIFICATIONS OR AFFIRMATIONS ARE INTENDED.  
11) PERMASEAL SHALL HAVE A 50PSI MIN TENSILE STRENGTH.  
\*\* ALTERATIONS, ADDITIONS, OR OTHER MARKINGS TO THIS DOCUMENT ARE NOT PERMITTED AND INVALIDATE OUR CERTIFICATION.



THIS DESIGN VALID FOR AND ENGINEER CERTIFIED IN THESE STATES:

STATE	LICENSE NUMBER
ALABAMA	2555
CONNECTICUT	23664
FLORIDA	PE0046549
GEORGIA	27525
IDAHO	11090
LOUISIANA	30341
MAINE	10478
MARYLAND	28152
MASSACHUSETTS	43224
MICHIGAN	49491
MINNESOTA	43001
MISSISSIPPI	16927
MISSOURI	2003019521
MONTANA	15567
NEW HAMPSHIRE	10624
NEW JERSEY	24GE04353500
NEW YORK	79356
NORTH CAROLINA	PE027234
OHIO	66438
PENNSYLVANIA	PE060991
RHODE ISLAND	7928
SOUTH CAROLINA	21507
TEXAS	96064
VERMONT	8182
VIRGINIA	0402 038109

DRWN	CHKD	DATE
		1-11-08

COPYRIGHT ENGINEERING EXPRESS

05-MAM-0007

SCALE: 01

PAGE DESCRIPTION:

1

F:\01 Project Files\Madden Mfg (MAM)\2005 Jobs\05-MAM-0007 Roof Over Mobile Home MPS - NJ Seal.dwg 08/31/2009 - 12:19pm rbarlett