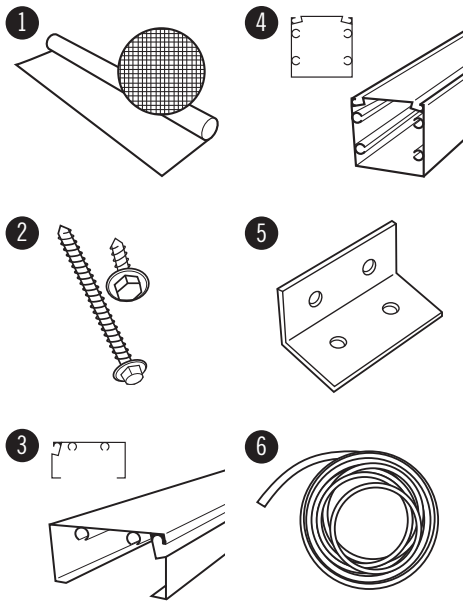


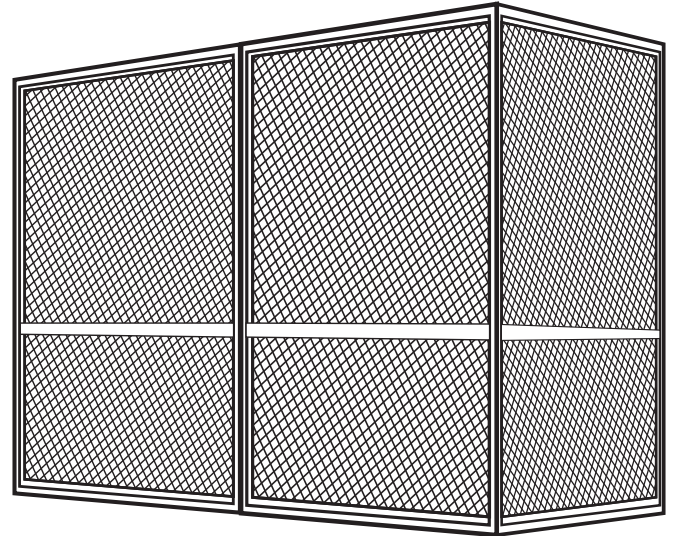
Screen Room Components:

- 1 Fiberglass Screen
- 2 Fasteners:
2"
3/4" ST
- 3 1"x2" Open Back
- 4 2"x2" Post
- 5 Capri Clip
- 6 Spline



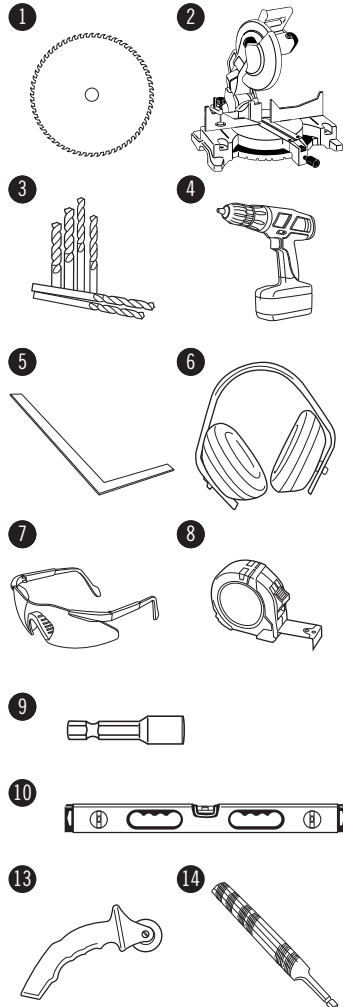
Madden Screen Enclosure Instructions

BUILDING STYLE & SAFETY FOR YOUR LIFE

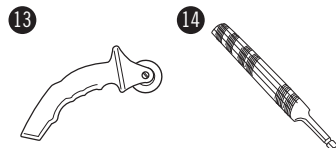
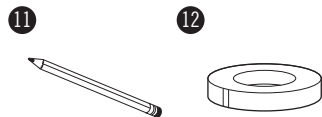


Tool Checklist

- 1 40 - 80 tooth wood saw blade
- 2 Miter, chop or circ. saw
- 3 1/8", 1/4" Drill bits
- 4 Variable speed drill
- 5 Framing square
- 6 Ear protection
- 7 Safety Glasses
- 8 Tape measure
- 9 1/4" driver
- 10 Level
- 11 Pencil
- 12 Tape
- 13 Spline Roller
- 14 Metal file (optional)



Concrete or block installations may require additional tools (hammer drill, masonry bits)



Please check all screen component deliveries against packing slips.

- Inspect all component parts for familiarity
- Before cutting any component, know its use – “measure twice and cut once”
- Review all local screen enclosure building codes
- The included fasteners are for wood, concrete, and brick applications

THANK YOU FOR YOUR BUSINESS!

MADDEN
Manufacturing
SCREEN ENCLOSURES

Madden Screen Instructions

1. Measure and cut 1" x 2" open back to fit horizontally at the **TOP** of your opening. Face screw in place using the appropriate fastener, every 18":
 - a. 2" SMS for wood
 - b. 2 ¼" Tapcon for concrete
 - c. 3" SMS for stucco
2. Measure and cut 1" x 2" open back to fit vertically at **BOTH SIDES** of your opening. Face screw in place using the appropriate fastener every 18".
3. Measure and cut 1" x 2" open back to fit horizontally at the **BOTTOM** of your opening. Face screw in place using the appropriate fastener every 18".
4. Measure and cut 2" x 2" Post fit horizontally at the desired chair rail height. Usually 42" for commercial properties, or parallel with the existing guardrail top rail.
5. Secure the chair rail 2" x 2" into place using (2) Capri Clips and (8) ¾" self tapping fasteners.

TIP: If your opening does not require 2"x2" supports, simultaneously cutting the top and bottom lengths and then simultaneously cutting the side lengths reduces installation times.

6. TEST ROLLING THE FLAT SPLINE INTO THE SCREEN TRACK:

Cut a 6" piece of spline. Using your fingers, push the flat side of the spline into the deeper edge of spline channel (without any screen). Now practice rolling the spline roller tool to "lock" the spline into the spline channel. See illustrations.

7. INSTALLING THE SCREEN INTO THE OPENING:

Starting in the middle of the top 1"x2" roll the spline and screen into the channel towards both corners. Now that the top is done, complete both sides, then proceed to roll the bottom

Note: As the spline locks into place your screen should become

tight. If necessary pull out spline and restart process until you achieve the desired look and screen tautness

Installation complete!

